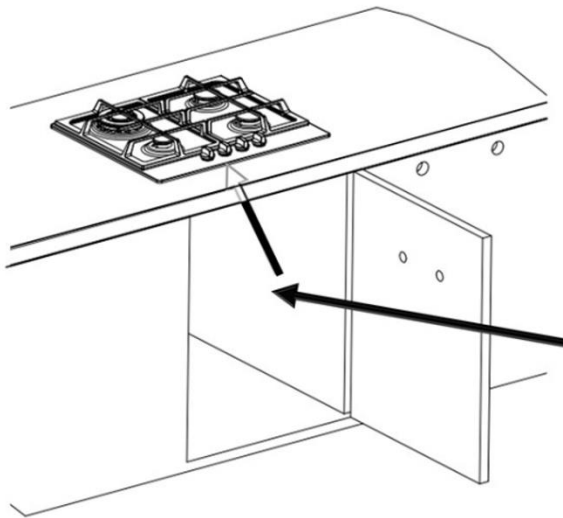


**IMPORTANT SAFETY ALERT:
ACTION REQUIRED**

PRODUCT SAFETY REPAIR

Stoves Gas hob



We have become aware that some Stoves gas hobs may be fitted with a connector that is at risk of failing in certain circumstances whether the hob is in use or not. Should this occur, this could lead to a gas leak or fire.

The models affected have the following model numbers:

Skus No.	Skus name
444410191	ST GHU60C Sta
444410193	ST GTG60C Blk
444410194	ST GHU75C Sta
444410196	ST GTG75C Blk

How do I know if I have an affected model?

The model number can be found either on the rating label under the hob (as shown in the image above) or on the instruction manual. Should neither be readily accessible, or you have concerns you might have an affected model, then please follow the instructions below to register for a free inspection by a Gas Safe registered engineer.

What should I do next?

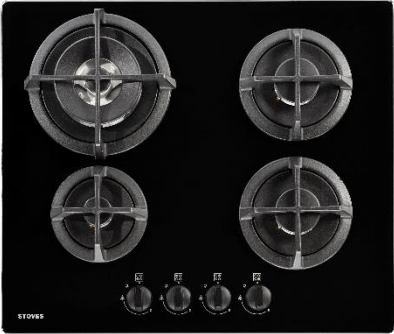


If you have an affected gas hob or you cannot locate your model number, it's important that you contact us on Freephone 0800 208 1060. Alternatively, go to <https://gashobsrepair.mktpoint.com> to enter your details. When contacting us, please have your model number to hand.

If you are using an affected appliance with Liquid Petroleum Gas (LPG) in a caravan or motorhome, please disconnect it from the LPG cylinder immediately.

If you have any queries, please do not hesitate to contact us on **Freephone 0800 208 1060**. While you are waiting for the engineer's visit, please continue to keep in mind the important Gas Safety Tips, which you can view here: <https://www.gassaferegister.co.uk/gas-safety/home-gas-safety/home-gas-safety-tips/> These include installing an audible CO alarm, ensuring adequate ventilation and only using gas appliances for their intended purpose.

If you smell gas or are concerned that your product poses a risk, you should contact the National Gas Emergency Helpline for your area (0800 111 999 in England, Wales and Scotland, and 0800 002 001 in Northern Ireland) or a Gas Safe registered installer. We thank you for your cooperation and apologise for any inconvenience.

If you have any queries, please do not hesitate to contact us on Freephone **0800 041 8831**.

Sku No.	Sku name	Image
444410193	ST GTG60C	
444410196	ST GTG75C BLK	
444410191	ST GHU60C Sta	

444410194

ST GHU75C Sta



STOVES

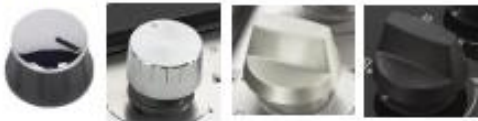
HOW TO IDENTIFY AFFECTED PRODUCTS

AFFECTED SKUS

Size:
60cm & 75cm

Material/Colour:
Stainless Steel & Black Glass

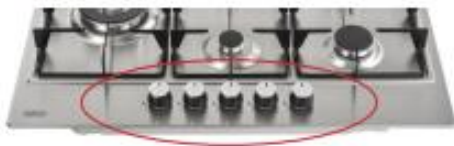
Knobs:



Hotplate Design:

Layout of knobs are close together in the middle. Only front access knobs on all sizes. Flat profile front of hob.

70/75cm:



60cm:



Wok Placement:
(only on 70/75cm stainless steel)

LEFT SIDE



Pan Supports:

(Variation depending on type)

60cm Stainless Steel



2pcs

70/75cm Stainless Steel



3pcs

60cm Black (Glass/Steel)



4pcs

70/75cm Black



5pcs

NON AFFECTED SKUS

Size:
60cm & 70cm

Material/Colour:
Stainless Steel & Black Steel

Knobs:



Hotplate Design:

Layout of knobs are spread out with branding in the middle. Front or side access knobs. Bevelled profile front of hob.

70/75cm:



60cm:



Wok Placement:
(only on 70/75cm stainless steel)

MIDDLE



Pan Supports:

(2 pcs pan supports for all configurations)

60cm Stainless Steel



2pcs

70/75cm Stainless Steel



3pcs

60cm Black (Glass/Steel)



2pcs

70/75cm Black



2pcs